



# Vine Trimmer Type ACE

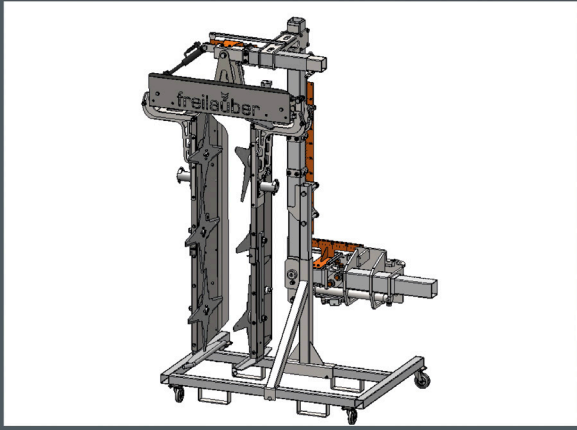
The ACE leaf cutter is characterised by newly developed cutting units and frames, which offer a wealth of advantages in the vineyard.

A frame that is characterised by its robustness and at the same time has many adjustment options. With the ACE, you can easily process row widths from 1.70 m to 2.70 m in the over-row area with the standard machine.

The newly developed cutting units have a very high torque and, in conjunction with the new knives, this ACE is unbeatable in the vineyard.



## Vine Trimmer Type ACE



As a **one-sided**.



One side in front of the tractor **for pointed lines** to move out of the row.



**Fully** extended.



**Very good visibility** from the cab in transport position.

## Technical Data

- Cutting lengths are available in various sizes. The cutting head has 2 blades, each with a length of 550 mm.
- Hydraulically adjustable cutting widths from 30 - 90 cm.
- Collision protection on the side sections by means of gas pressure shock absorbers.
- Comfort control with joystick for hydraulic operation.
- Stainless steel cutting units with protected drive unit and high torque.



For further informations visit [www.freilauber.de](http://www.freilauber.de) or just scan the QR-Code.

From your authorised dealer